

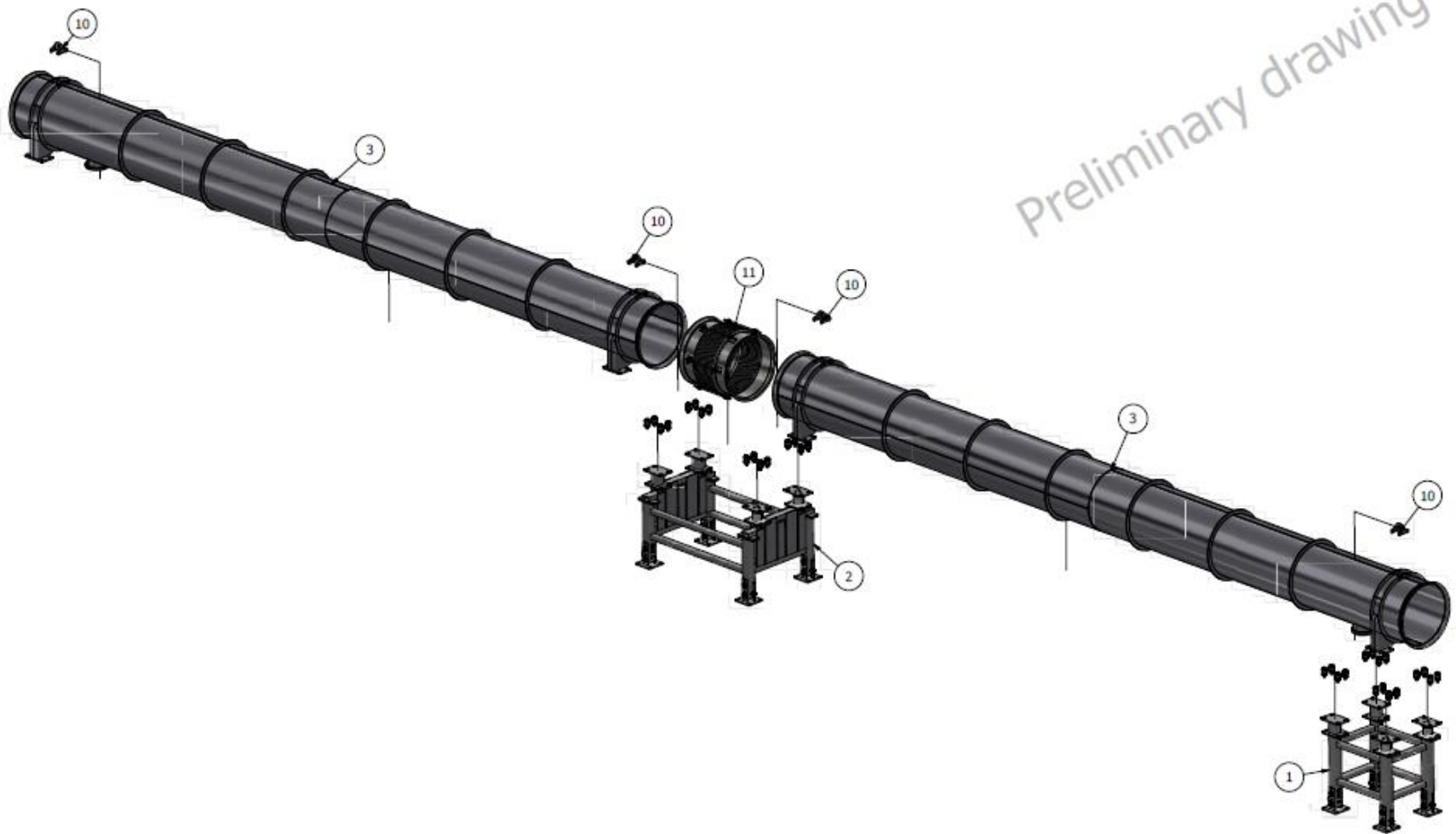
Filter cavities – HV pipes

Buggiani et al. on behalf of WPIV

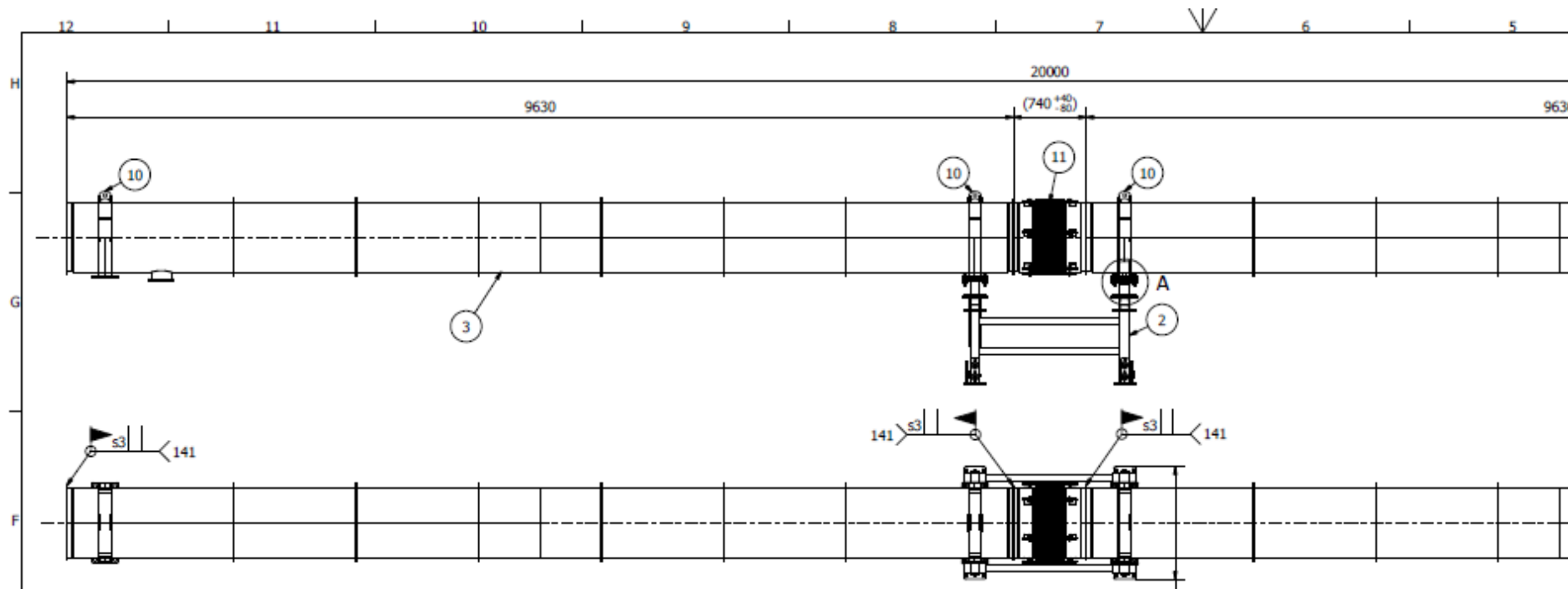
19 Sept 2024

HV pipes (from Virgo long cavities)

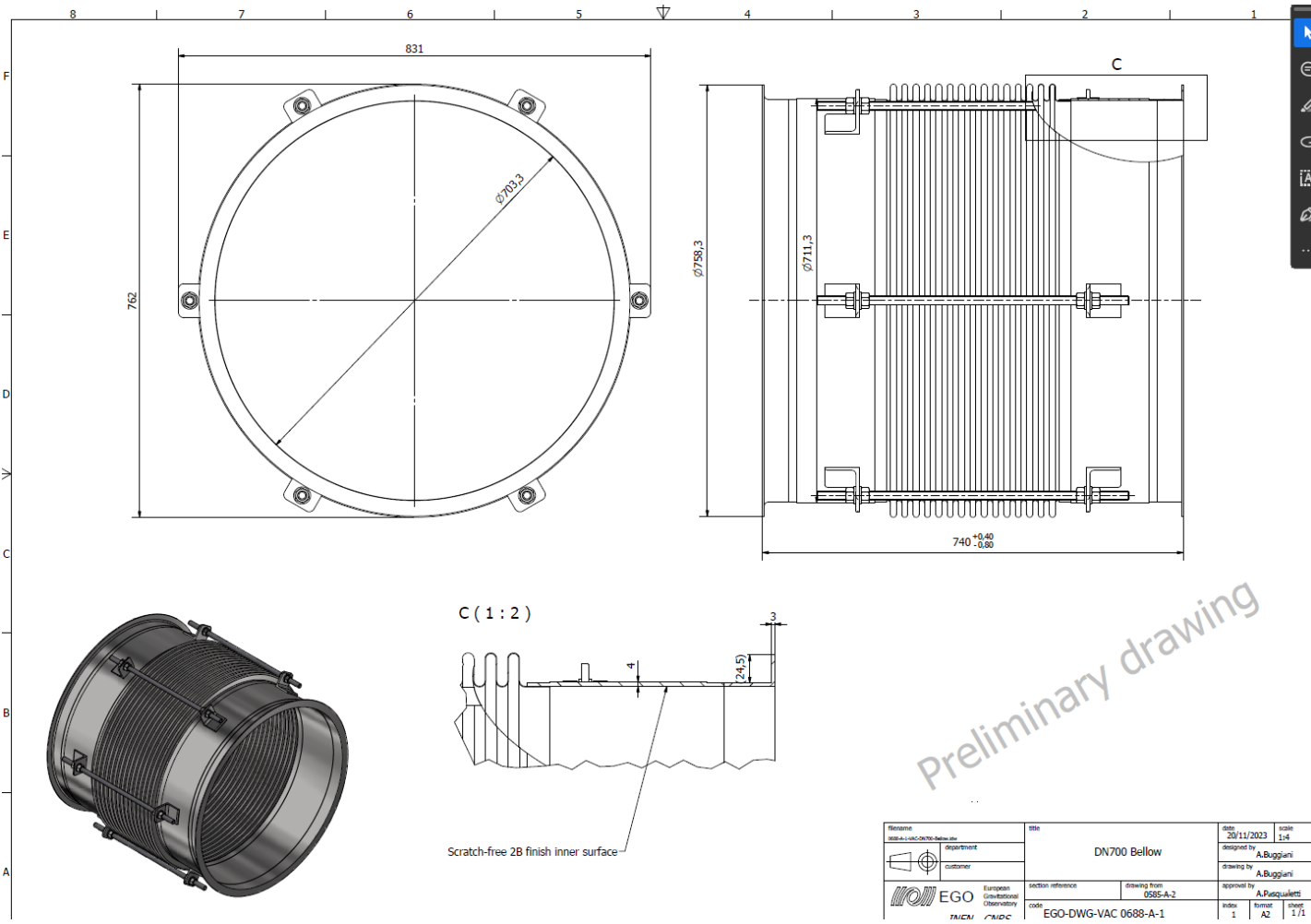
11-00.1



HV pipes (from Virgo long cavities)



HV pipes (from Virgo long cavities)



Preliminary drawing

| | | | |
|--|---|------------------------------|--------------------------|
| Reference 0585-A1-LAS-CAT70-240-010 | title DN700 Bellow | date 20/11/2023 | scale 1:4 |
| department | customer | designed by A.Buggiani | drawing by A.Buggiani |
| European Coordinational Organization | section reference drawing from 0585-A-2 | approved by A.Pisqualetti | index 1 |
| code EGO-DWG-VAC 0688-A-1 | format A2 | sheet 1/1 | |

Solution available from another project

- Mechanics and costs recently discussed
- Once readapted, suitable for TDR estimate
- Work needed: discuss and define the civil interface and study the installation procedure

- Backup slides

